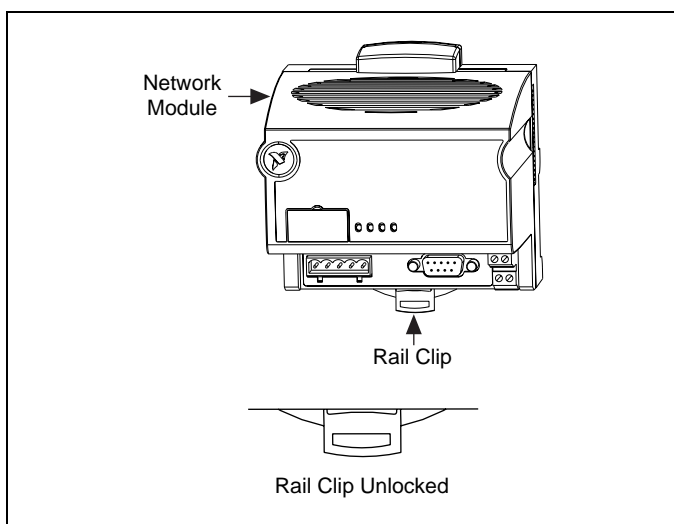


## FIELDPOINT™ NETWORK MODULE PANEL MOUNT ACCESSORY

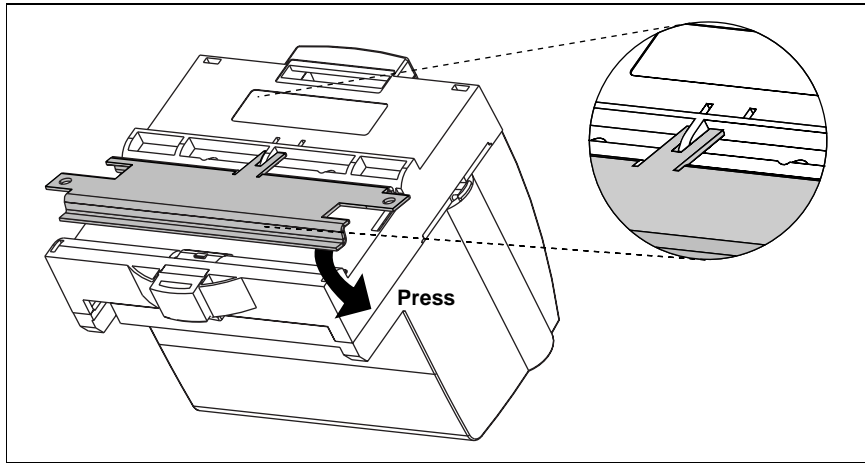
Perform the following steps to install the FieldPoint network panel mount accessory and mount the module.

1. Make sure that the rail clip on the network module is unlocked. Figure 1 shows a FieldPoint network module and the unlocked position of the rail clip.



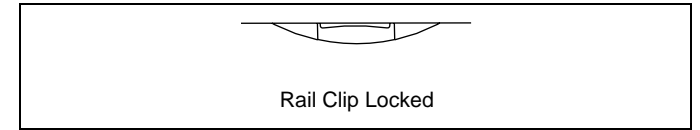
**Figure 1.** FieldPoint Network Module

2. Snap the panel mount accessory onto the module as shown in Figure 2.



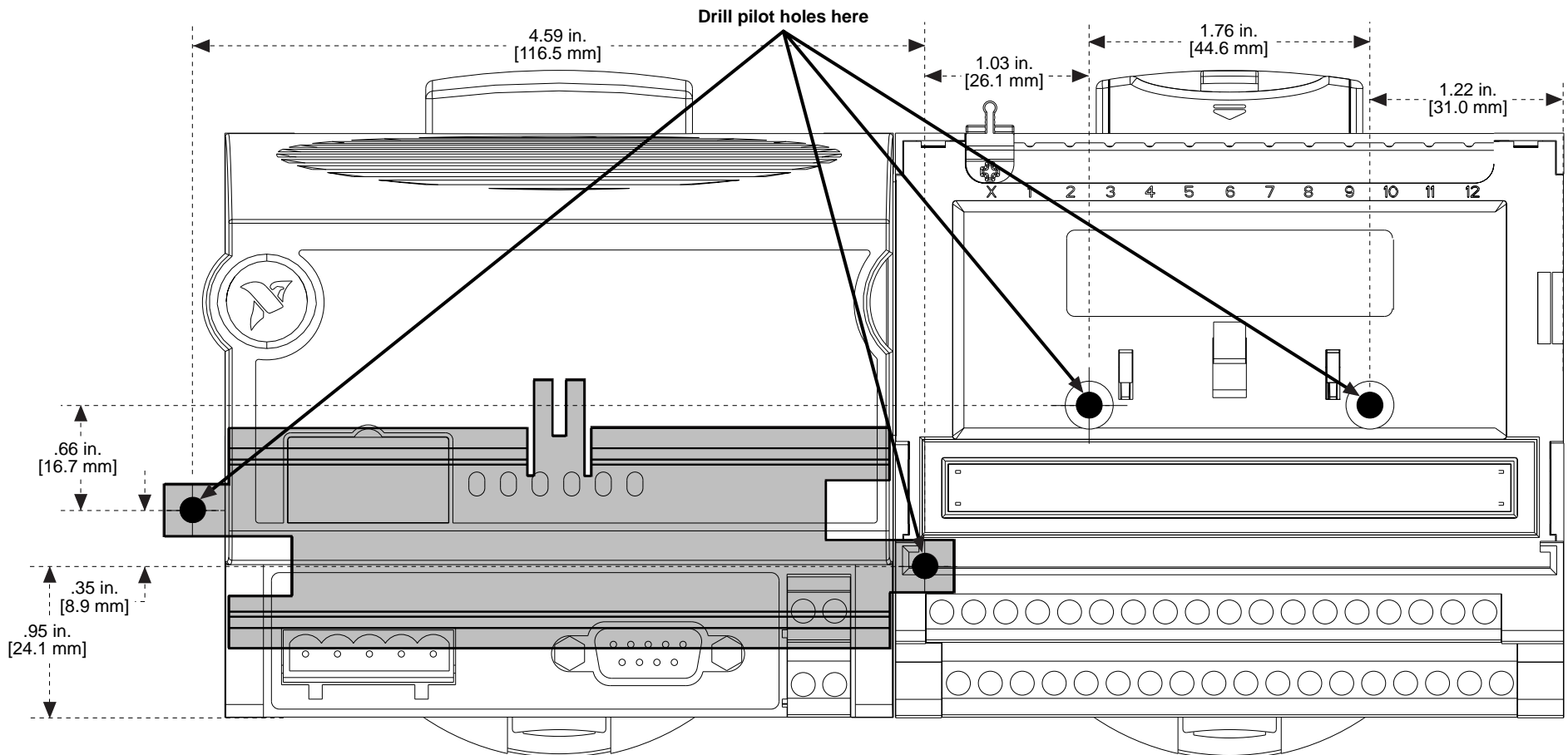
**Figure 2.** Installing the Network Panel Mount Accessory

3. Lock the rail clip, as shown in Figure 3.



**Figure 3.** Rail Clip in the Locked Position

4. Mount the network module with the panel mount accessory. You can use the figure below as a guide to drill pilot holes for mounting the module. The figure shows the module attached to a terminal base.





321938A-01

Apr98